

BB 42 76 mm dCore DC | 612 042  
Blower ByPass Brushless

- » High Speed BLDC Blower
- » Electronic Commutation
- » Hall Sensor Output

- » Aerodynamically Optimized
- » Compact and light weight
- » Low Sound Output



Data		Std. Output	Std. Output	High Output
Nominal voltage	VDC	12	24	24
Fan housing diameter	mm	73	73	73
Fan stages	n°	1	1	1
Max. airflow	m³/h	44	44	46
Max. pressure	kPa	7.5	7.5	9.5
Max. Input power	W	105	105	135
Input current	A	9	4.5	5.5
Max. speed	rpm	35000	35000	38500
Weight	Kg	0.5	0.5	0.5
Sound pressure level*	dBA	<73	<73	<73

\* At free flow conditions according to IEC 60704-1

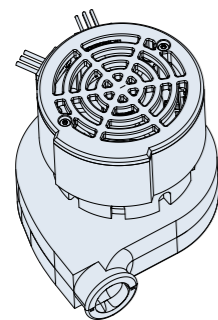
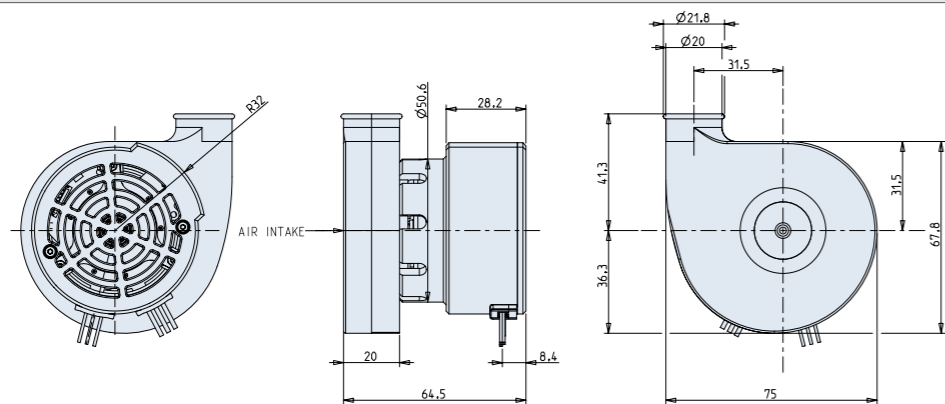
Alternative versions on request:

- » 36 VDC input
- » With mounting feet
- » With on-board drive controller  
(dCore models require external drive controller)

Features of versions with on-board drive controller:

- » Analogue Speed command input 0-10 VDC
- » Sensorless commutation
- » Tach-output 2 ppr

Dimensions in mm/ standard models

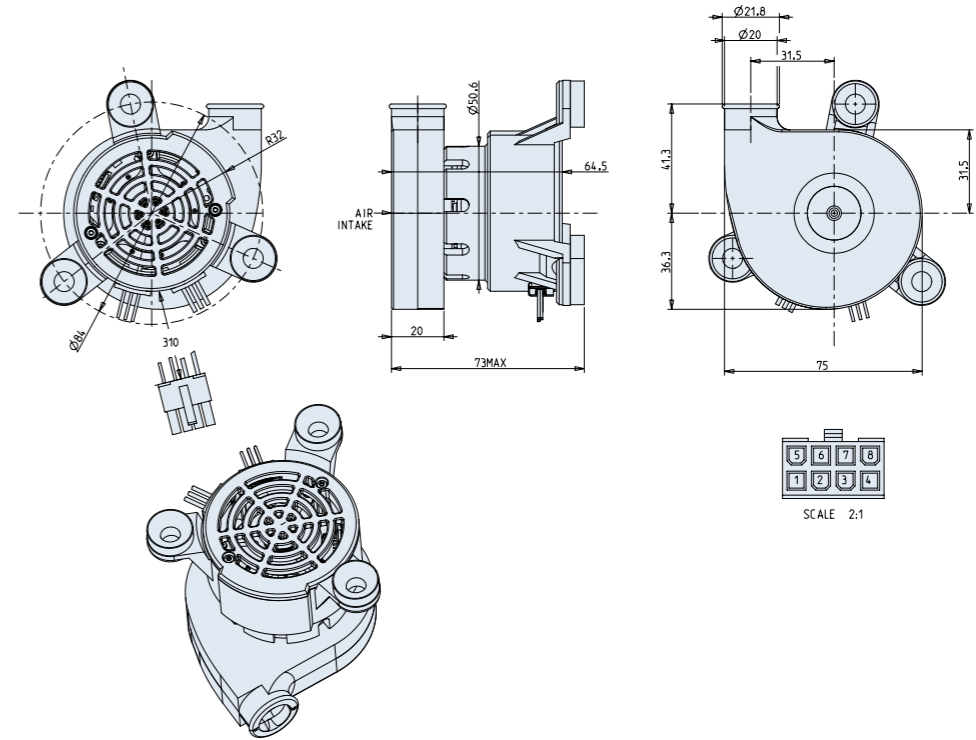


Pin Out		
Phase A	Red	●
Phase B	Black	●
Phase C	Yellow	●
Hall Sensor		
VCC	Red	●
GND	Black	●
H1	Green	●
H2	Yellow	●
H3	Brown	●

BB 42 76 mm dCore DC | 612 042  
Blower ByPass Brushless



Dimensions in mm/ models with optional mounting feet and connector



Circuit Diagram	
Description	J1
Hall HA	1
Hall HB	2
VCC	3
Phase SHC	4
Hall HC	5
GND	6
Phase SHA	7
Phase SHB	8

Characteristic diagram

